

**PLEASE CHECK WWW.MOLEX.COM FOR LATEST PART INFORMATION**

**Part Number:** [0784920001](#)  
**Status:** **Active**  
**Overview:** [micro\\_sata](#)  
**Description:** 1.27mm (.050") Pitch Micro Serial ATA Device Receptacle for 1.8" SSD/HDD, SMT, Vertical, with Pegs and Kapton Tape, 16 Circuits, EmbossedTape on Reel, Lead free

**Documents:**

[Drawing \(PDF\)](#) [RoHS Certificate of Compliance \(PDF\)](#)  
[Product Specification PS-78492-001 \(PDF\)](#)

**Agency Certification**

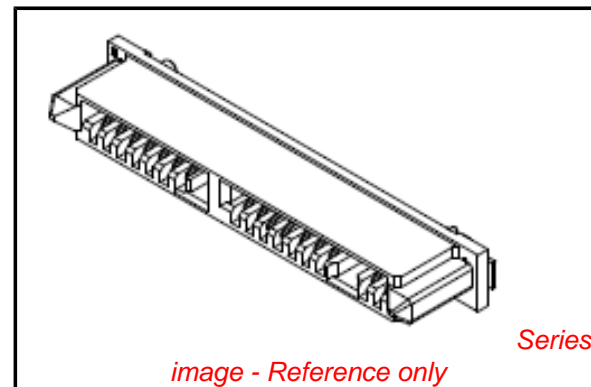
CSA LR19980  
 UL E29179

**General**

Product Family PCB Receptacles  
 Series [78492](#)  
 Application Board-to-Board  
 Comments Rimmed connector base; connector width: 4.38mm (.163")  
 Overview [micro\\_sata](#)  
 Product Name Micro Serial ATA, Serial ATA

**Physical**

Circuits (Loaded) 16  
 Circuits (maximum) 16  
 Color - Resin Black  
 Durability (mating cycles max) 500  
 Flammability 94V-0  
 Glow-Wire Compliant No  
 Guide to Mating Part Yes  
 Keying to Mating Part Yes  
 Lock to Mating Part No  
 Material - Metal Copper Alloy  
 Material - Plating Mating Gold  
 Material - Plating Termination Tin  
 Material - Resin High Temperature Thermoplastic  
 Number of Rows 1  
 Orientation Vertical  
 PCB Locator Yes  
 PCB Retention Yes  
 Packaging Type Embossed Tape on Reel  
 Pitch - Mating Interface (in) 0.050 In, 0.052 In  
 Pitch - Mating Interface (mm) 1.27 mm, 1.32 mm  
 Pitch - Term. Interface (in) 0.050 In, 0.052 In  
 Pitch - Term. Interface (mm) 1.27 mm, 1.32 mm  
 Plating min: Mating (µin) 5  
 Plating min: Mating (µm) 0.127  
 Plating min: Termination (µin) 100  
 Plating min: Termination (µm) 2.54  
 Polarized to Mating Part Yes  
 Polarized to PCB Yes  
 Stackable No  
 Temperature Range - Operating 0°C to +55°C  
 Termination Interface: Style Surface Mount



**EU RoHS**

**ELV and RoHS Compliant**  
**REACH SVHC Contains SVHC: No**  
**Halogen-Free**  
**Status Not Reviewed**

**China RoHS**



**Need more information on product environmental compliance?**

Email [productcompliance@molex.com](mailto:productcompliance@molex.com)  
 For a multiple part number RoHS Certificate of Compliance, [click here](#)

Please visit the [Contact Us](#) section for any non-product compliance questions.

**Search Parts in this Series**

[78492Series](#)

**Mates With**

[78103](#) , [78283](#) and [78285](#) Micro SATA Device Plugs

**Electrical**

Current - Maximum per Contact	1.5A
Grounding to PCB	Yes
Voltage - Maximum	30V

**Solder Process Data**

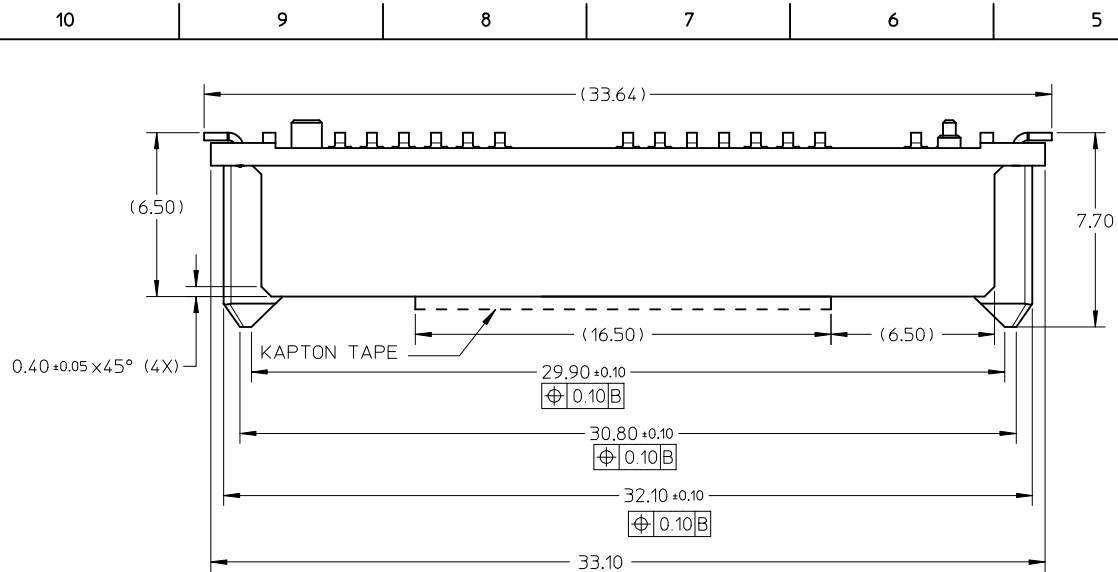
Duration at Max. Process Temperature (seconds)	3
Lead-free Process Capability	Reflow Capable (SMT only)
Max. Cycles at Max. Process Temperature	1
Process Temperature max. C	260

**Material Info****Reference - Drawing Numbers**

Packaging Specification	PK-78492-001
Product Specification	PS-78492-001
Sales Drawing	SD-78492-001

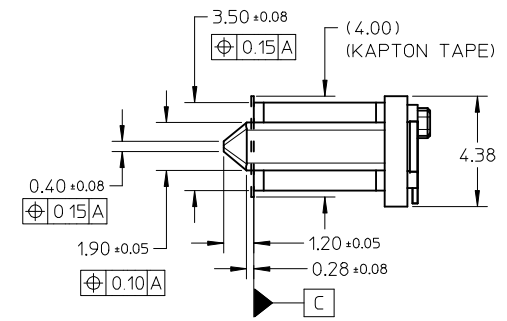
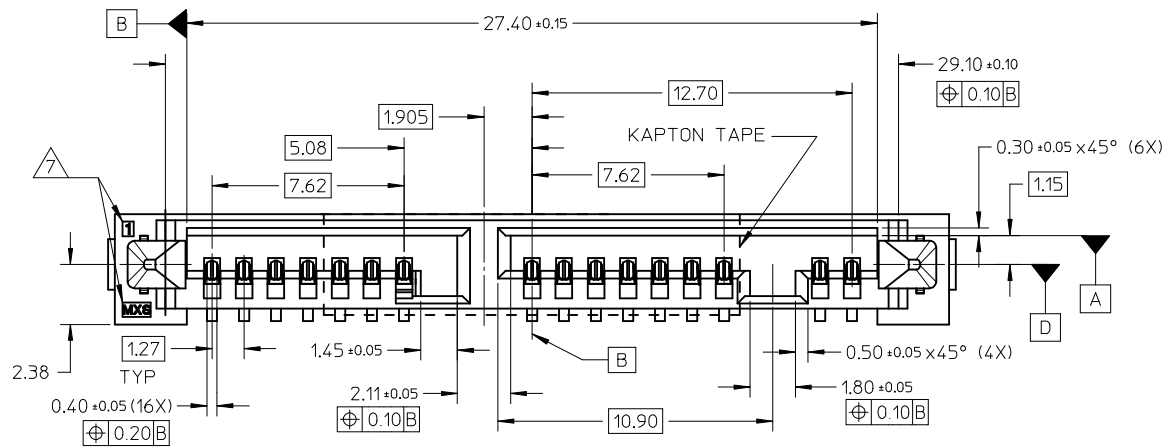
This document was generated on 05/21/2010

**PLEASE CHECK [WWW.MOLEX.COM](http://WWW.MOLEX.COM) FOR LATEST PART INFORMATION**

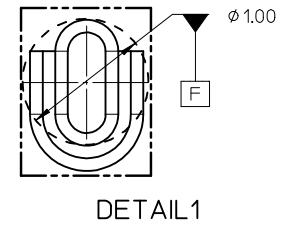
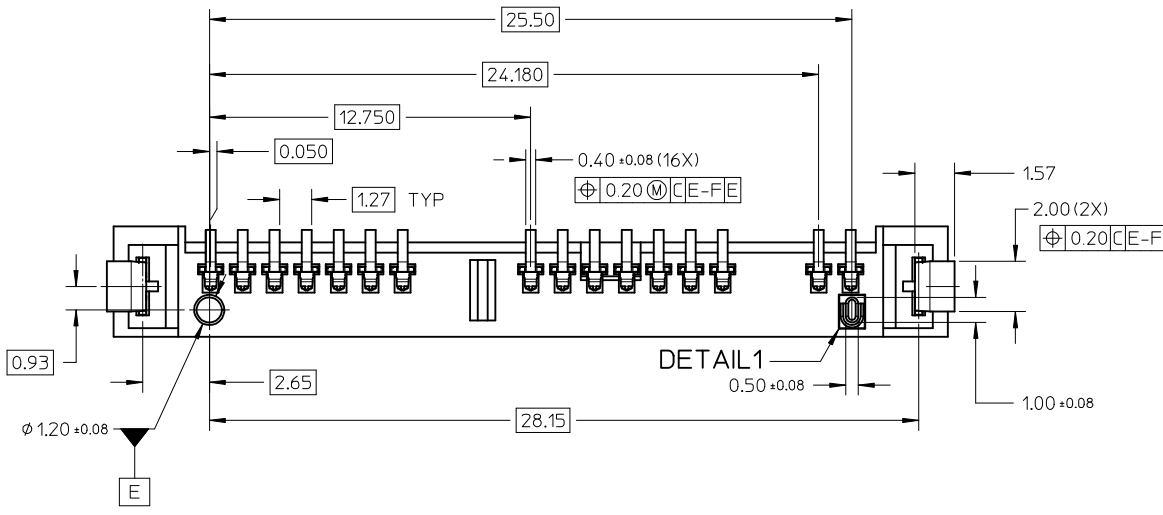
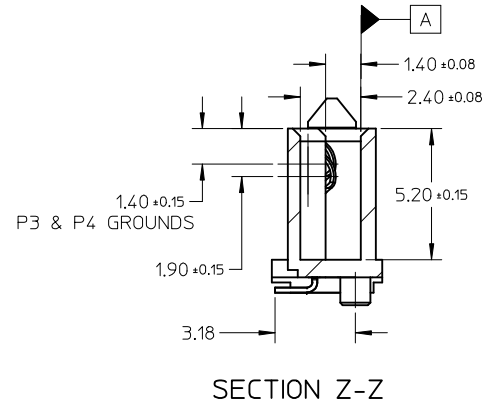
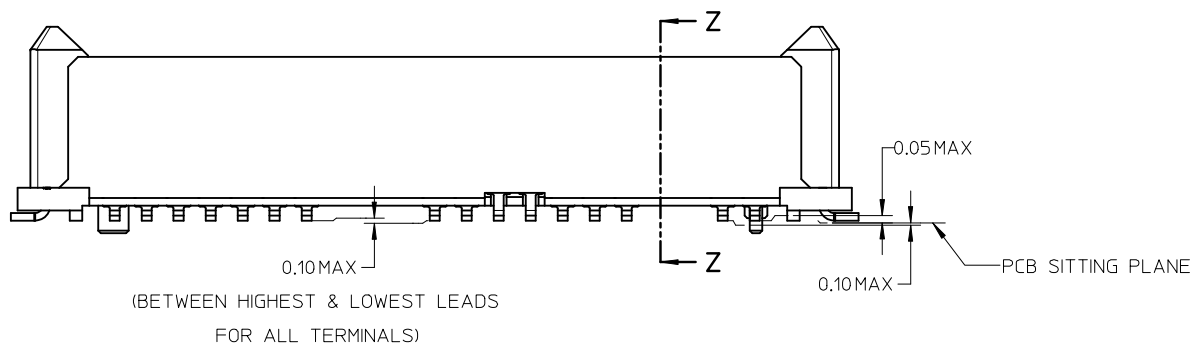


NOTES:

1. MATERIAL : LCP, GLASS FILLED, UL 94V-0, BLACK  
TERMINAL/SOLDER TAB : COPPER ALLOY
2. FINISHES: SEE TABLE
3. PRODUCT SPECIFICATION : SEE TABLE
4. PACKAGING SPECIFICATION : TAPE AND REEL
5. MATES WITH : MOLEX MICRO SATA PLUG
6. THIS PRODUCT IS COMPLIANT TO RoHS DIRECTIVE WITH THE FOLLOWING BANNED SUBSTANCES - LEAD, MERCURY, CADMIUM, HEXAVALENT CHROMIUM, POLYBROMINATED BIPHENYLS AND POLYBROMINATED DIPHENYLS ETHERS.
7. MOLEX LOGO AND CAVITY NUMBER LOCATED APPROXIMATELY AS SHOWN
8. NON FUNCTIONAL CORING MAY VARY

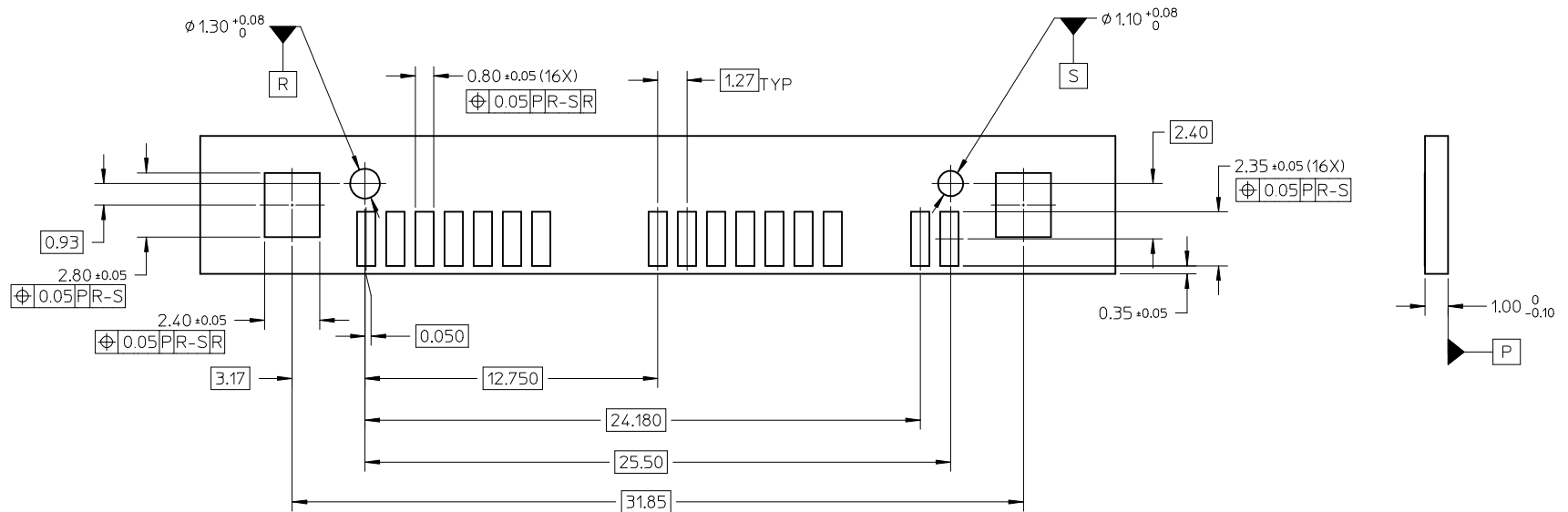


SEE SHEET 4 EC NO: S2009-0967 DRWN:GMENARLY CHKD:CGOH APPR:BOKOK	DESCRIPTION REV	QUALITY SYMBOLS	GENERAL TOLERANCES (UNLESS SPECIFIED)	DIMENSION STYLE	SCALE	DESIGN UNITS	THIRD ANGLE PROJECTION	
		▼=0 ◻=0	mm INCH	MM ONLY	NTS	METRIC		
			4 PLACES ± --- ± --- 3 PLACES ± --- ± --- 2 PLACES ± 0.20 ± --- 1 PLACE ± --- ± ---	DRAWN BY DATE GMENARLY 2009/03/17	TITLE MICRO SATA RECEPTACLE VERTICAL SMT 1.8 INCH SSD/HDD			
			ANGULAR ± 3 °	CHECKED BY DATE CGOH 2009/05/20	MOLEX INCORPORATED			
		DRAFT WHERE APPLICABLE MUST REMAIN WITHIN DIMENSIONS	MATERIAL NO.	APPROVED BY DATE BOKOK 2009/05/20	DOCUMENT NO. SD-78492-001		SHEET NO. 1 OF 4	
			SIZE A3	THIS DRAWING CONTAINS INFORMATION THAT IS PROPRIETARY TO MOLEX INCORPORATED AND SHOULD NOT BE USED WITHOUT WRITTEN PERMISSION				



SEE SHEET 4 EC NO: S2009-0967 DRWN:GMENARLY CHKD:CGOH APPR:BOKOK	2009/08/04 2009/08/04 2009/08/05	QUALITY SYMBOLS ▽=0 ◻=0	GENERAL TOLERANCES (UNLESS SPECIFIED) mm INCH 4 PLACES ± --- ± --- 3 PLACES ± --- ± --- 2 PLACES ± 0.20 ± --- 1 PLACE ± --- ± --- ANGULAR ± 3 °	DIMENSION STYLE MM ONLY DRAWN BY GMENARLY CHECKED BY CGOH APPROVED BY BOKOK MATERIAL NO. SEE TABLE	DATE 2009/03/17 DATE 2009/05/20 DATE 2009/05/20	SCALE NTS DESIGN UNITS METRIC THIRD ANGLE PROJECTION	TITLE MICRO SATA RECEPTACLE VERTICAL SMT 1.8 INCH SSD/HDD MOLEX INCORPORATED
	REV A1	DESCRIPTION	DRAFT WHERE APPLICABLE MUST REMAIN WITHIN DIMENSIONS	SIZE A3 THIS DRAWING CONTAINS INFORMATION THAT IS PROPRIETARY TO MOLEX INCORPORATED AND SHOULD NOT BE USED WITHOUT WRITTEN PERMISSION	DOCUMENT NO. SD-78492-001 SHEET NO. 2 OF 4		

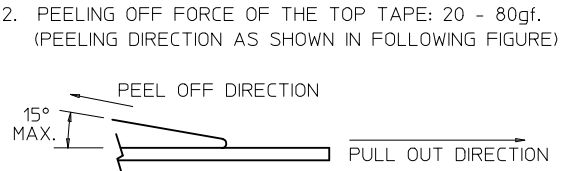
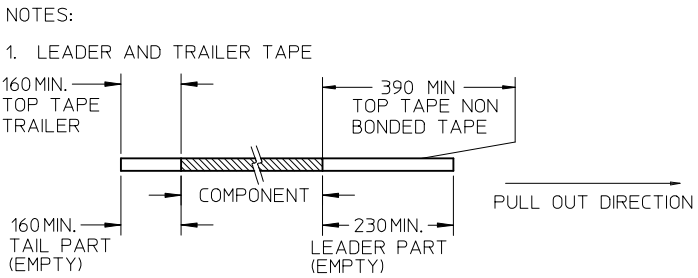
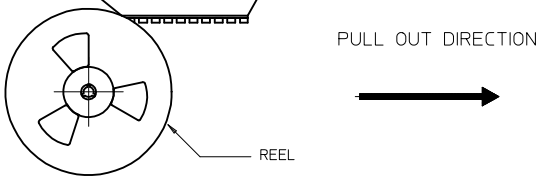
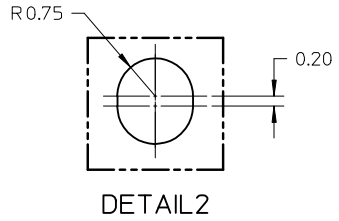
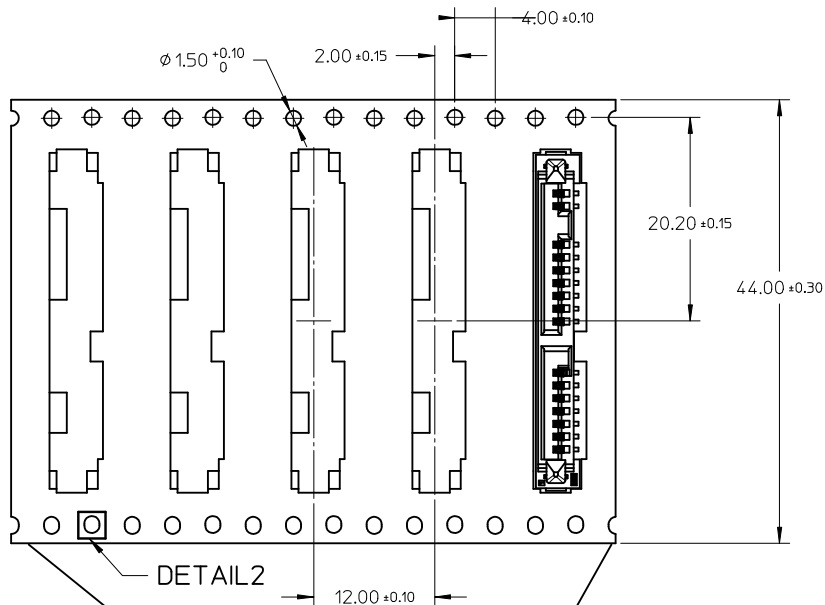
10	9	8	7	6	5	4	3	2	1
PART NUMBER		FINISHES				PRODUCT SPECIFICATIONS			
78492-0001		TERMINAL CONTACT :0.127µm MIN. SELECTIVE GOLD OVER 1.27µm MIN. NICKEL UNDERPLATE TERMINAL SOLDER TAIL :2.54µm MIN. TIN OVER 1.27µm MIN. NICKEL UNDERPLATE SOLDER TAB : 2.54µm MIN. TIN OVER 1.91µm MIN. NICKEL UNDERPLATE				PS-78492-001			
78492-0002		TERMINAL CONTACT :0.38µm MIN. SELECTIVE GOLD OVER 1.27µm MIN. NICKEL UNDERPLATE TERMINAL SOLDER TAIL :2.54µm MIN. TIN OVER 1.27µm MIN. NICKEL UNDERPLATE SOLDER TAB : 2.54µm MIN. TIN OVER 1.91µm MIN. NICKEL UNDERPLATE				PS-78492-002			
78492-0003		TERMINAL CONTACT :0.76µm MIN. SELECTIVE GOLD OVER 1.27µm MIN. NICKEL UNDERPLATE TERMINAL SOLDER TAIL :2.54µm MIN. TIN OVER 1.27µm MIN. NICKEL UNDERPLATE SOLDER TAB : 2.54µm MIN. TIN OVER 1.91µm MIN. NICKEL UNDERPLATE							



RECOMMENDED PCB LAYOUT

SEE SHEET 4 EC NO: S2009-0967 DRWN:GMENARLY 2009/08/04 CHKD:CGOH 2009/08/04 APPR:BOKOK 2009/08/05	QUALITY SYMBOLS	GENERAL TOLERANCES (UNLESS SPECIFIED)		DIMENSION STYLE MM ONLY		SCALE NTS	DESIGN UNITS METRIC	THIRD ANGLE PROJECTION	
	▽=0 ◻=0	mm	INCH	DRAWN BY GMENARLY	DATE 2009/03/17	TITLE MICRO SATA RECEPTACLE VERTICAL SMT 1.8 INCH SSD/HDD			
		4 PLACES ± --- ± ---	3 PLACES ± --- ± ---	CHECKED BY CGOH	DATE 2009/05/20	MOLEX INCORPORATED			
		2 PLACES ± 0.20 ± ---	1 PLACE ± --- ± ---	APPROVED BY BOKOK	DATE 2009/05/20	DOCUMENT NO. SD-78492-001		SHEET NO. 3 OF 4	
A1	DESCRIPTION	DRAFT WHERE APPLICABLE MUST REMAIN WITHIN DIMENSIONS		SIZE A3		THIS DRAWING CONTAINS INFORMATION THAT IS PROPRIETARY TO MOLEX INCORPORATED AND SHOULD NOT BE USED WITHOUT WRITTEN PERMISSION			

# PACKAGING INFORMATION



- 3. TAPE AND REEL SPECIFICATION IS AS PER EIA-481.
- 4. TAPE AND REEL QUANTITY : 550 PCS/ REEL.
- 5. THE TAPE IS TREATED FOR ANTI-STATIC.

<b>REV. CARRIER TAPE</b> EC NO: S2009-0967 DRWN:GMENARLY 2009/08/04 CHKD:CGOH 2009/08/04 APPR:BOKOK 2009/08/05	QUALITY SYMBOLS	GENERAL TOLERANCES (UNLESS SPECIFIED)	DIMENSION STYLE	SCALE	DESIGN UNITS	THIRD ANGLE PROJECTION
	▼=0 □=0	mm    INCH 4 PLACES ± --- ± --- 3 PLACES ± --- ± --- 2 PLACES ± 0.20 ± --- 1 PLACE ± --- ± --- ANGULAR ± 3 °	MM ONLY	NTS	METRIC	
	DESCRIPTION	DRAFT WHERE APPLICABLE MUST REMAIN WITHIN DIMENSIONS	DRAWN BY DATE	TITLE		
	REV	SIZE	GMENARLY 2009/03/17	MICRO SATA RECEPTACLE VERTICAL SMT 1.8 INCH SSD/HDD		
A1	A3	CGOH 2009/05/20	MOLEX INCORPORATED			
		BOKOK 2009/05/20	SD-78492-001			
		MATERIAL NO.	DOCUMENT NO.			
		SEE TABLE	4 OF 4			
		THIS DRAWING CONTAINS INFORMATION THAT IS PROPRIETARY TO MOLEX INCORPORATED AND SHOULD NOT BE USED WITHOUT WRITTEN PERMISSION				